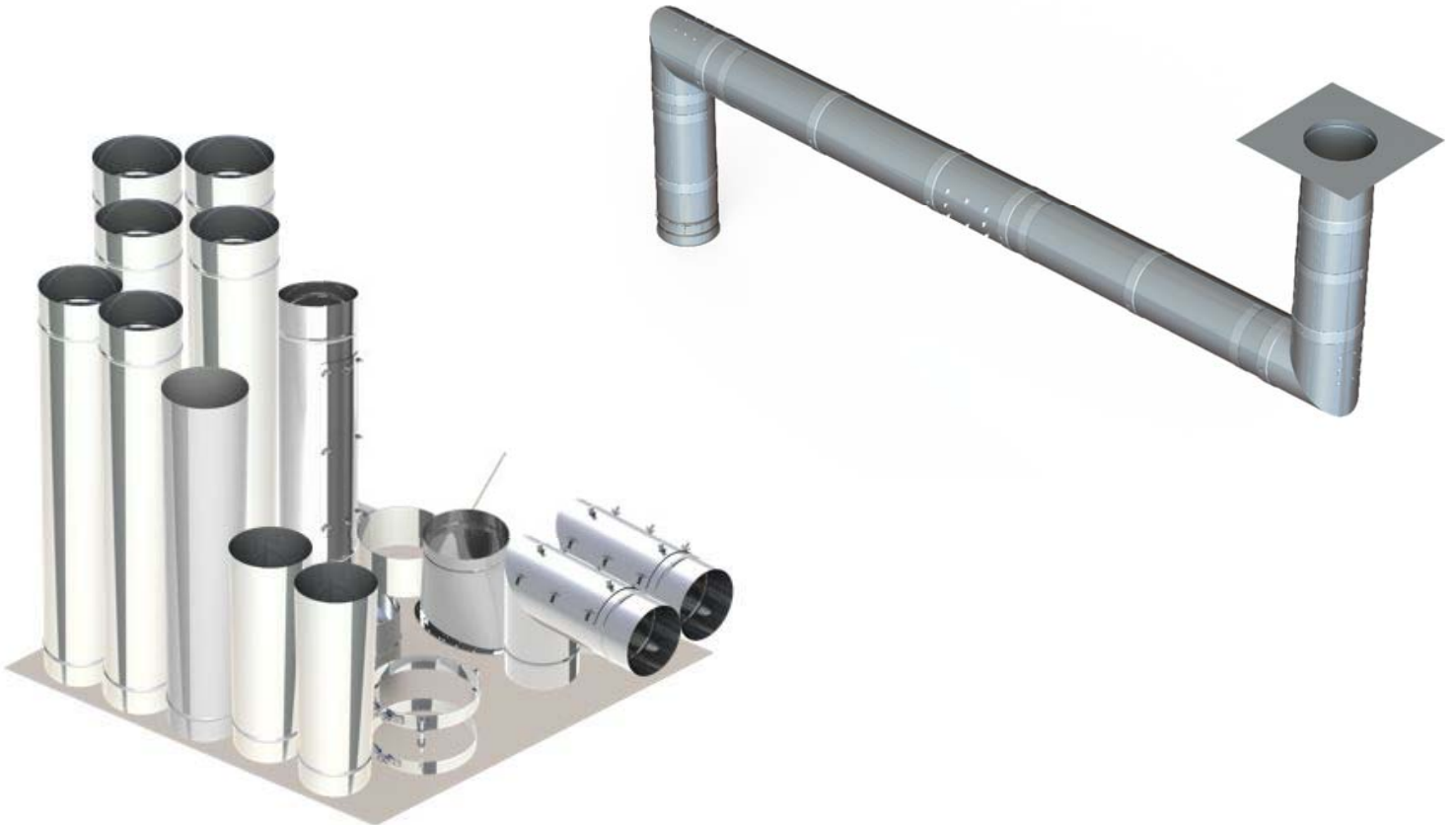


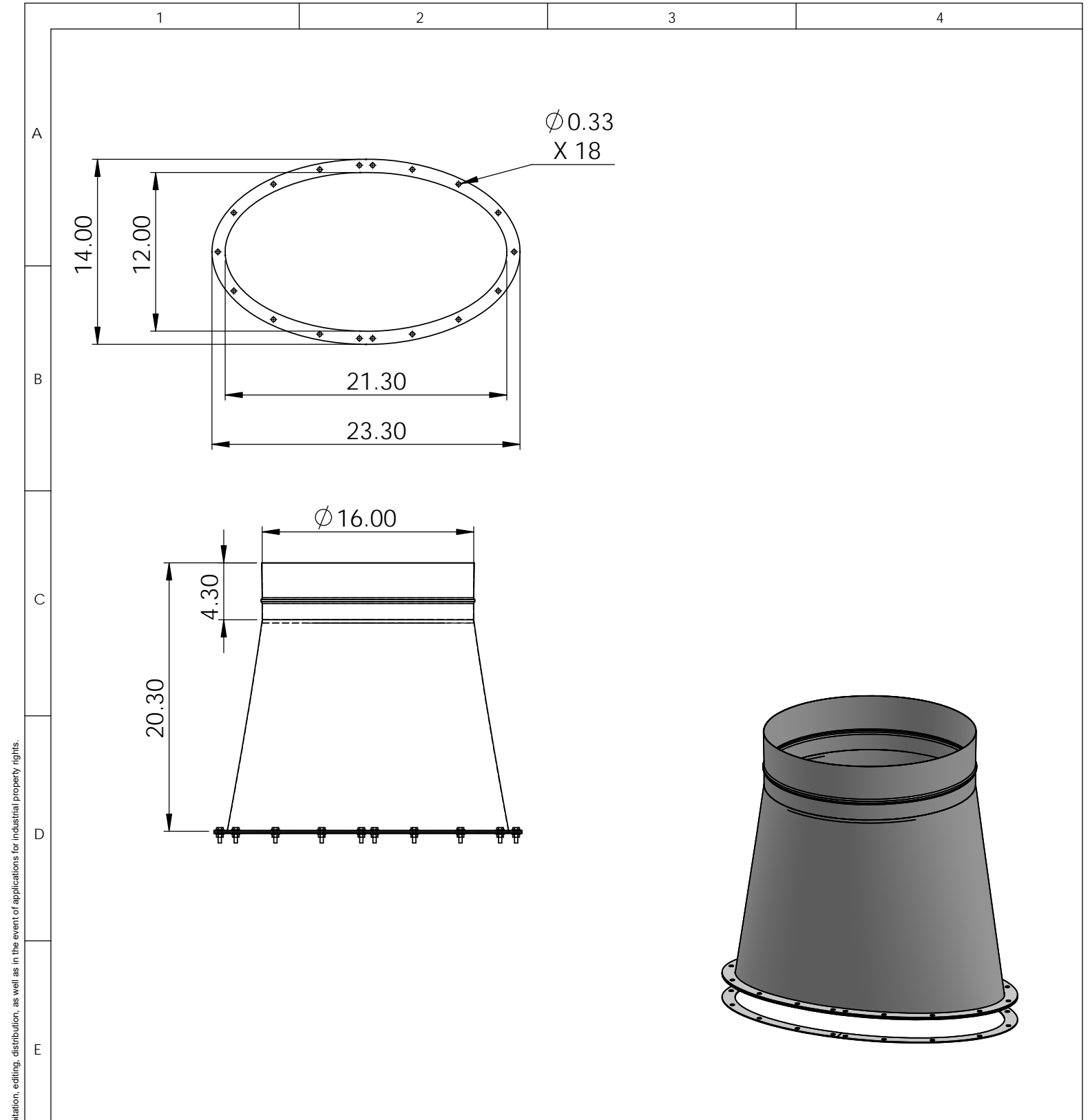
Grease Duct Spec

Model:


SW-NAKS-KIT11

Single Wall Conical 16"
with Two Elbows

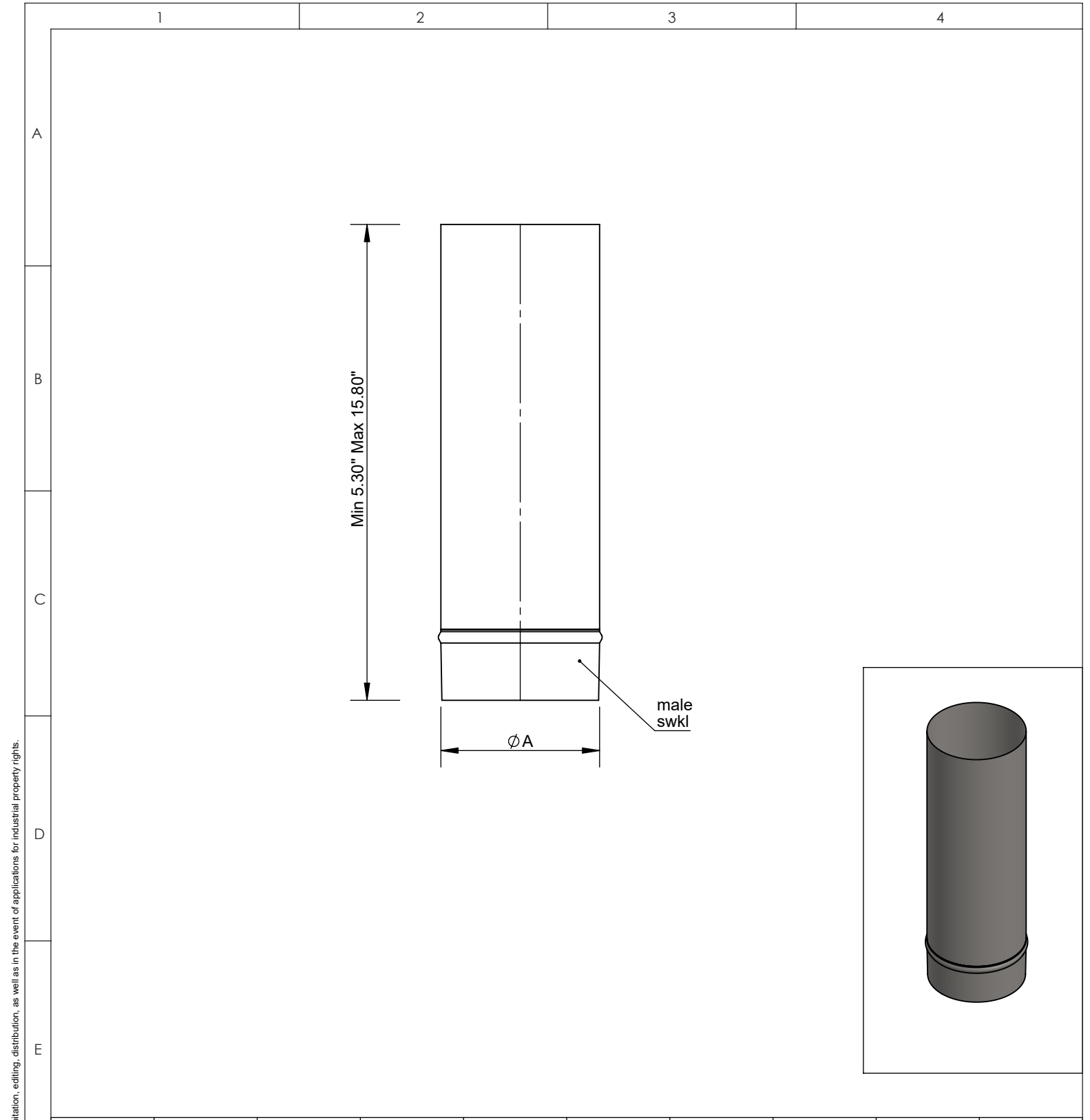




© NAKS Inc. All rights reserved, also regarding any disposal, exploitation, editing, distribution, as well as in the event of applications for industrial property rights.

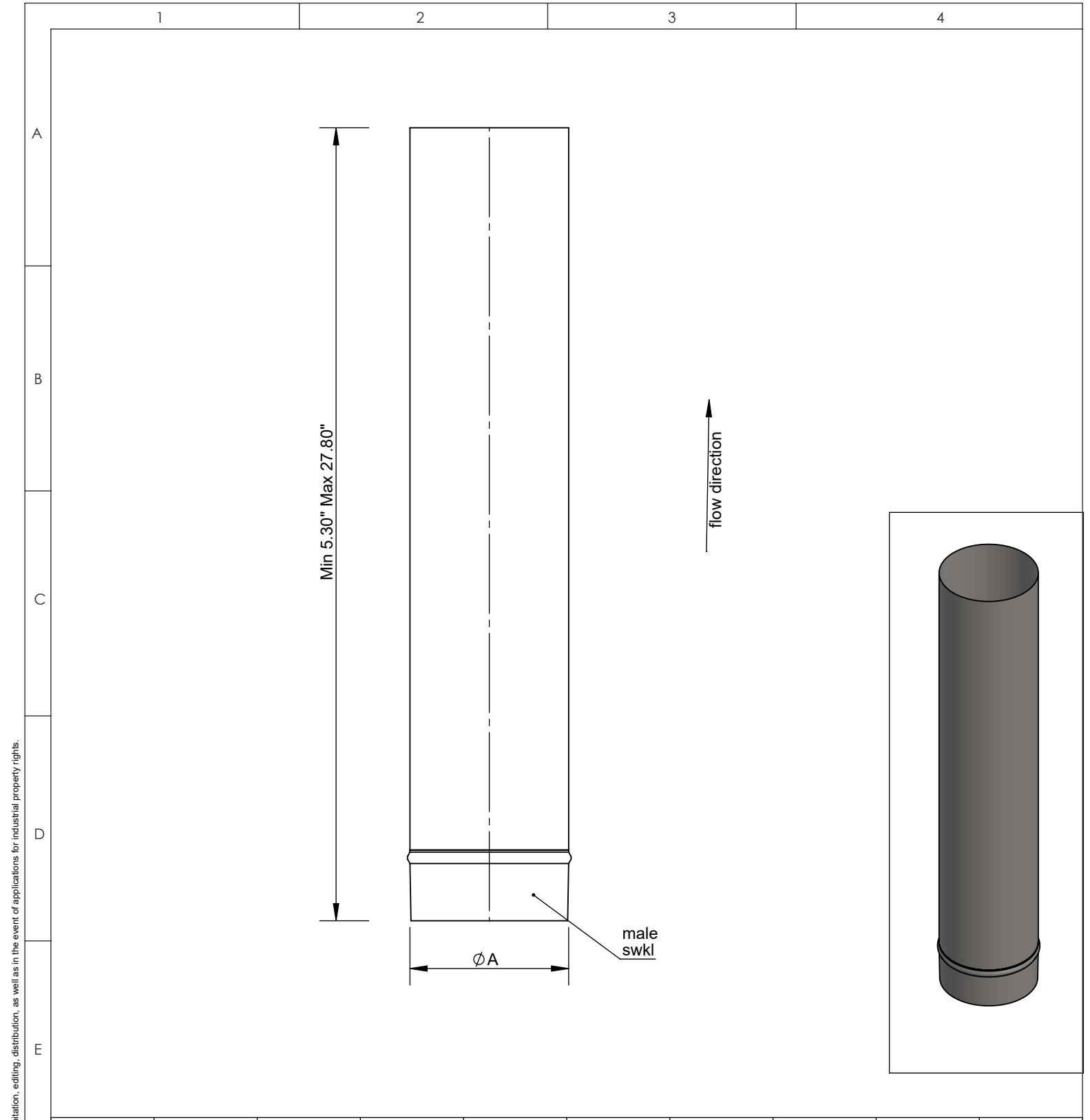
	Ø	14	16	18	20	22	
	A	14	16	18	20	22	
F	material: inside/outside	304	surface: inside/outside	BA	inch / lb		
			revisions-no.		 NORTH AMERICAN KITCHEN SOLUTIONS INCORPORATED	scale	
			date	name		description	US LETTER
			drawn by				sheet
			checked by				
		approved by					
		modified by			code		
					SWNAKS16-NWHA		
					drawing no.		







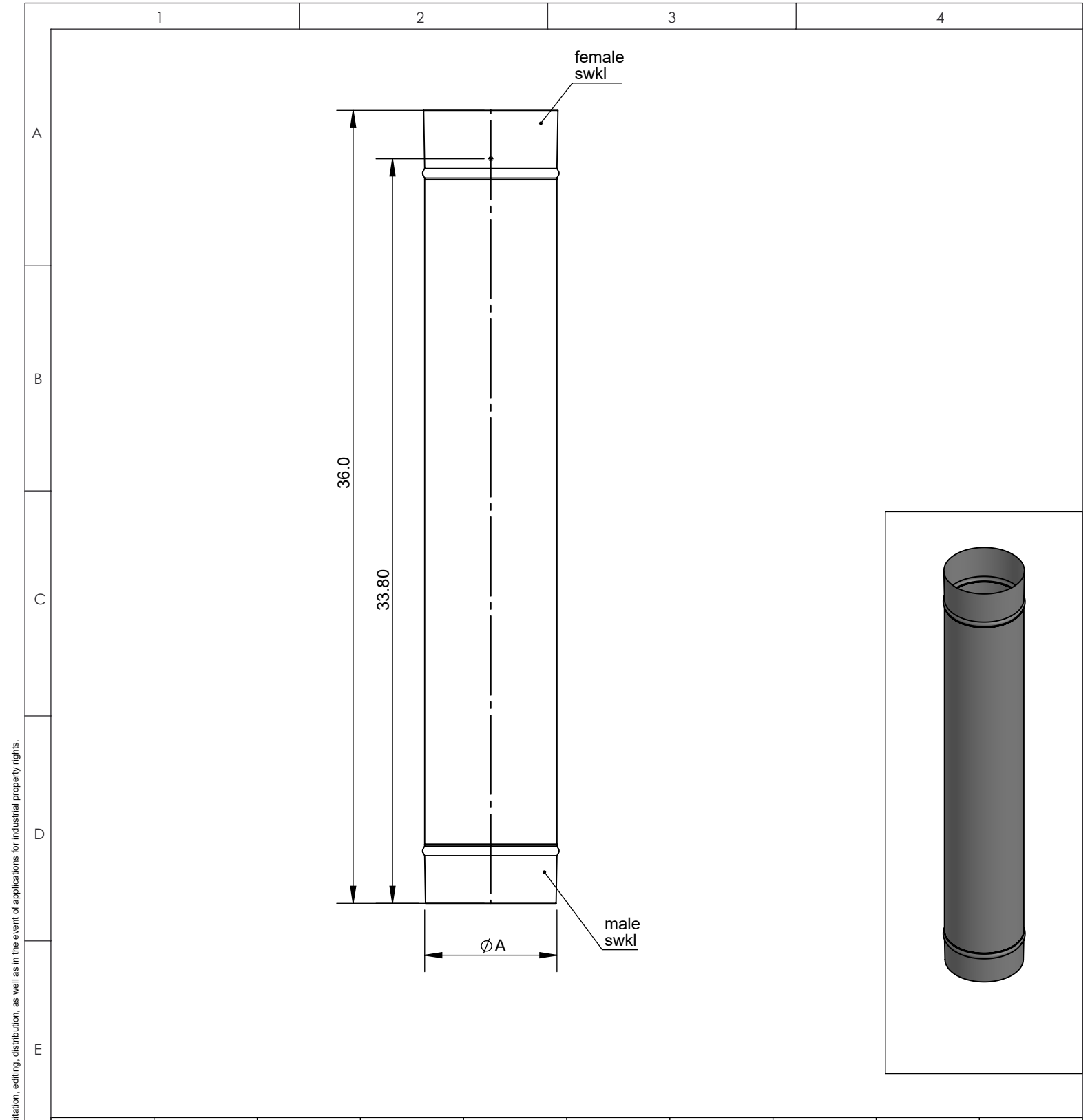
© NAKS Inc. All rights reserved, also regarding any disposal, exploitation, editing, distribution, as well as in the event of applications for industrial property rights.

	Ø	10	11	12	13	14	16	18	20	22	
	A	10	11	12	13	14	16	18	20	22	
F	material: inside/outside	304		surface: inside/outside	BA		<div style="display: flex; align-items: center;"> <div> <p>NORTH AMERICAN KITCHEN SOLUTIONS INCORPORATED</p> </div> </div>				scale
	inch / lb		revisions-no.		A						format
	description		date		name		KAB		18" Cut Length		US LETTER
	drawn by		checked by		approved by		code		SWNAKSØ-18CL		sheet
	modified by		drawing no.								





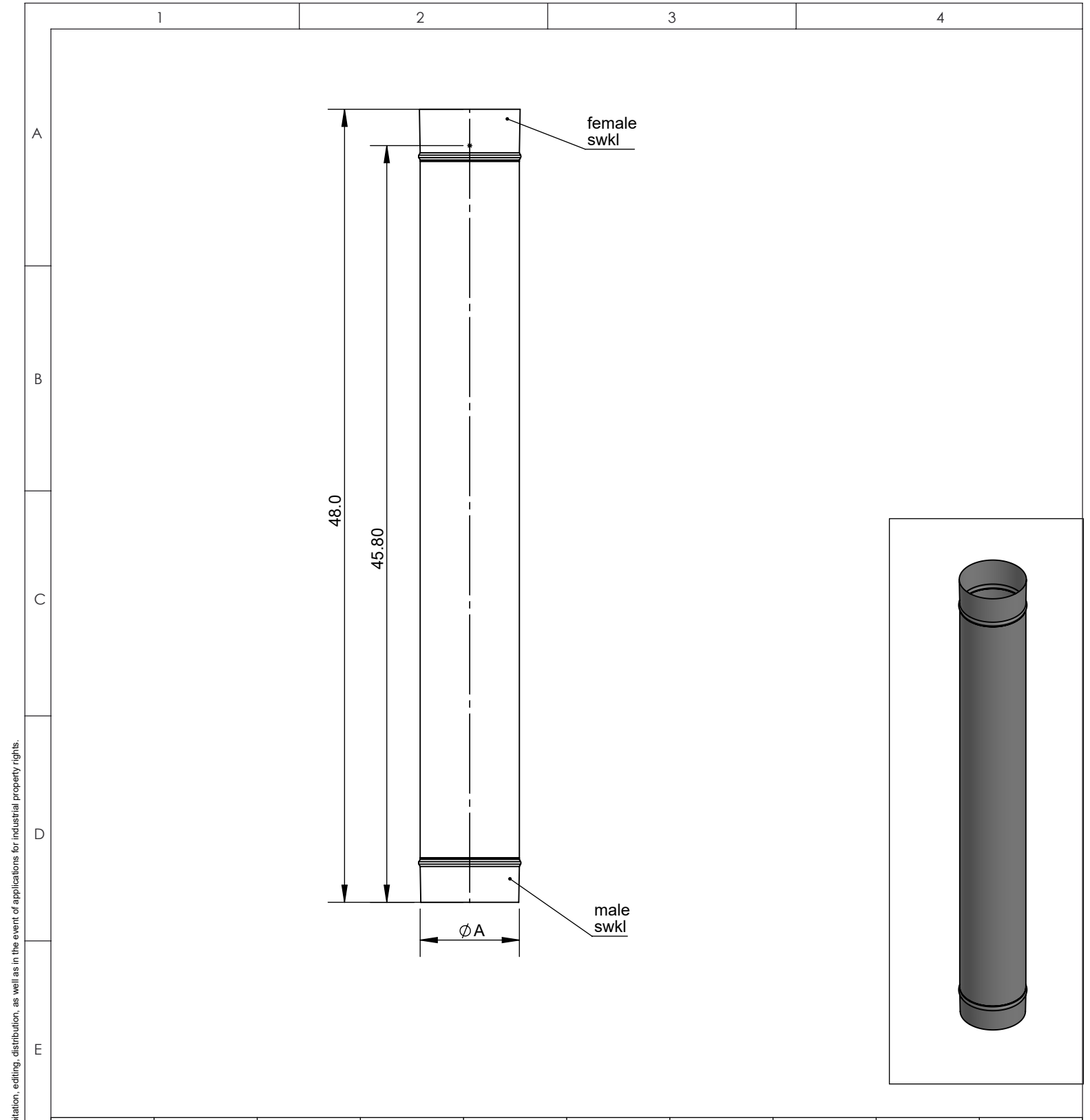
© NAKS Inc. All rights reserved, also regarding any disposal, exploitation, editing, distribution, as well as in the event of applications for industrial property rights.

	Ø	10	11	12	13	14	16	18	20	22	
	A	10	11	12	13	14	16	18	20	22	
F	material: inside/outside		surface: inside/outside		inch / lb		 NORTH AMERICAN KITCHEN SOLUTIONS INCORPORATED				scale
	304		BA		revisions-no.						format US LETTER
			date	name	description 30" Cut Length				sheet		
			drawn by								
			checked by								
		approved by		code SWNAKSØ-30CL							
		modified by		drawing no.							
											





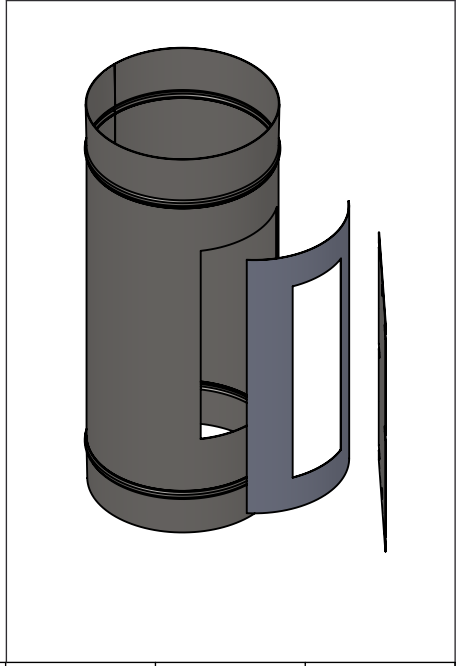
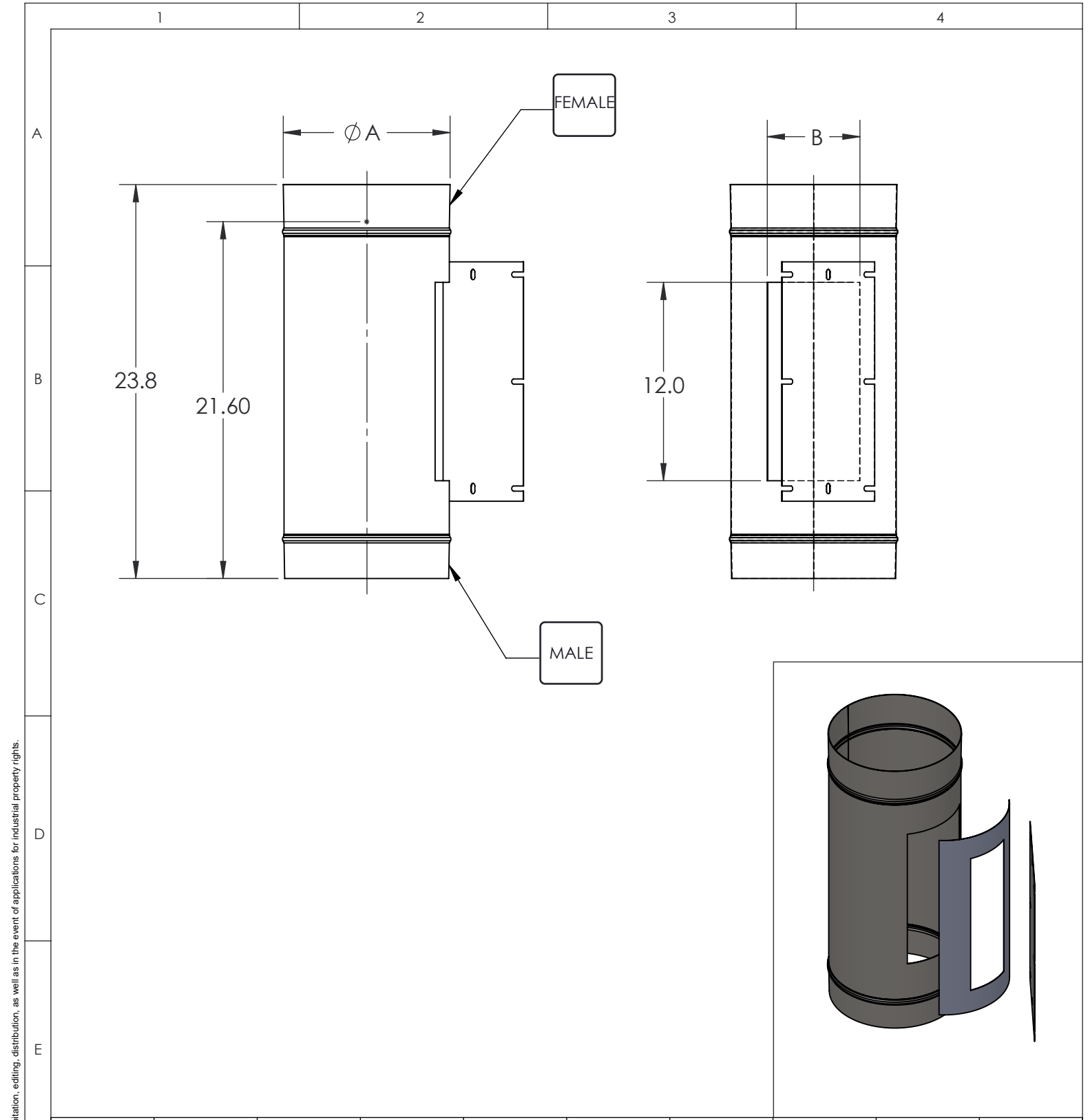
© NAKS Inc. All rights reserved, also regarding any disposal, exploitation, editing, distribution, as well as in the event of applications for industrial property rights.

	Ø	10	11	12	13	14	16	18	20	22
	A	10	11	12	13	14	16	18	20	22
F	material: inside/outside		surface: inside/outside		inch / lb		 NORTH AMERICAN KITCHEN SOLUTIONS INCORPORATED			scale
	304		BA		revisions-no.					description
					date	name				sheet
					drawn by					
					checked by					
				approved by		code				
				modified by		SWNAKSØ-36L				
						drawing no.				




© NAKS Inc. All rights reserved, also regarding any disposal, exploitation, editing, distribution, as well as in the event of applications for industrial property rights.

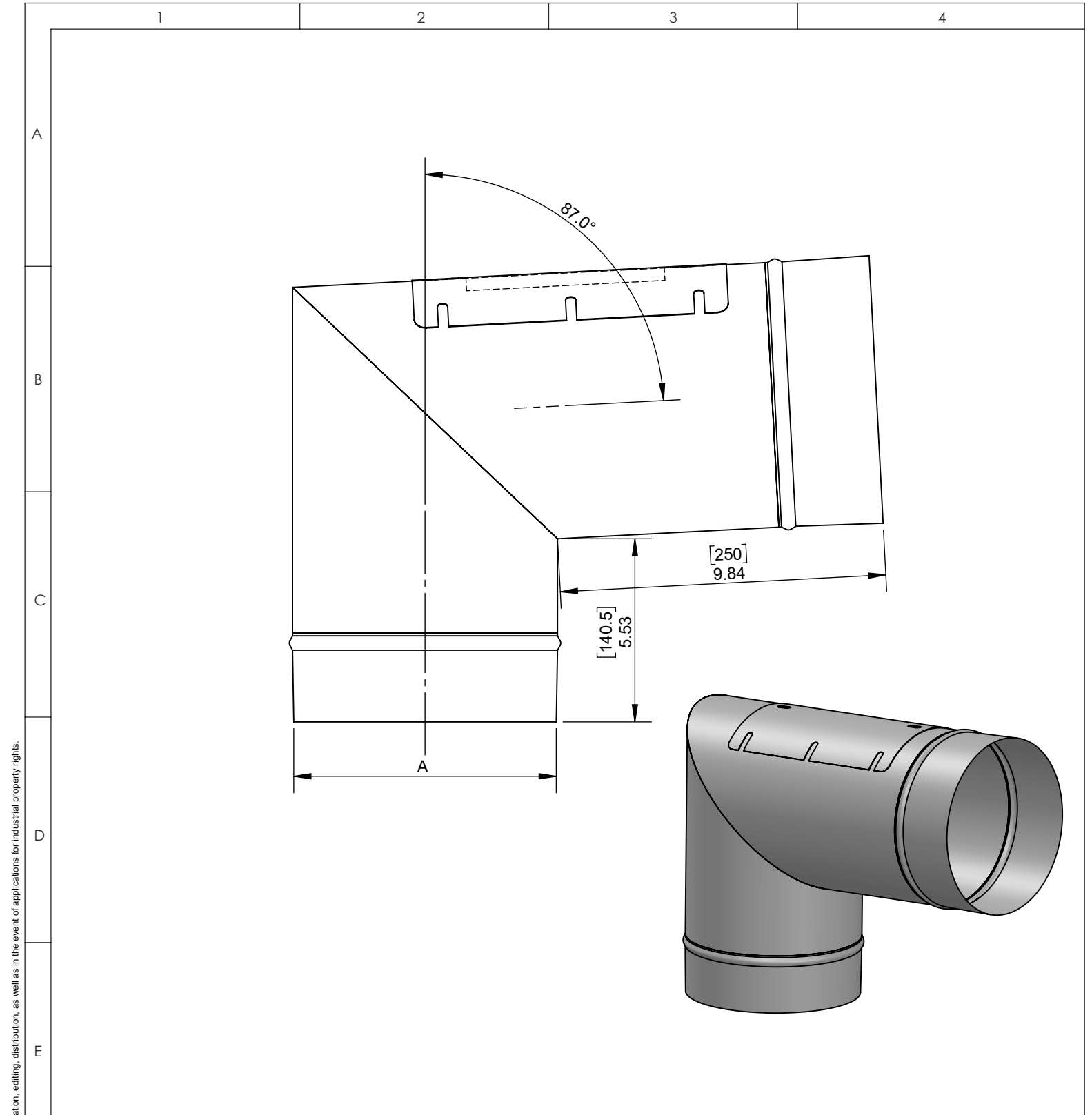
	Ø	10	11	12	13	14	16	18	20	22
	A	10	11	12	13	14	16	18	20	22
F	material: inside/outside		surface: inside/outside		inch / lb		 NORTH AMERICAN KITCHEN SOLUTIONS INCORPORATED			scale
	304		BA		revisions-no.					description
					date		name		sheet	
					drawn by				code	SWNAKSØ-48L
					checked by				drawing no.	
				approved by						
				modified by						




© NAKS Inc. All rights reserved, also regarding any disposal, exploitation, editing, distribution, as well as in the event of applications for industrial property rights.

ϕ	10	11	12	13	14	16	18	20	22			
A	10	11	12	13	14	16	18	20	22			
material: inside/outside	304		surface: inside/outside	BA		inch / lb				scale		
revisions-no.				 NORTH AMERICAN KITCHEN SOLUTIONS INCORPORATED				format		US LETTER		
description								Inline Access Door		sheet		
code								SWNAKSØ-IAD				
drawing no.												
date								name				
drawn by												
checked by												
approved by												
modified by												

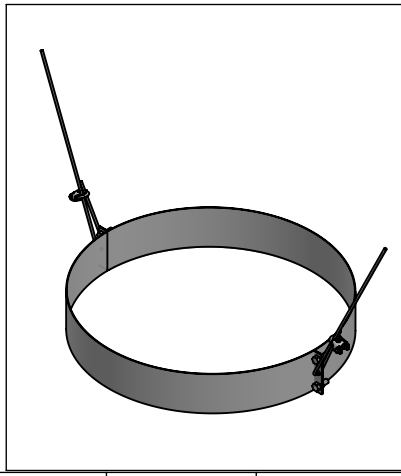
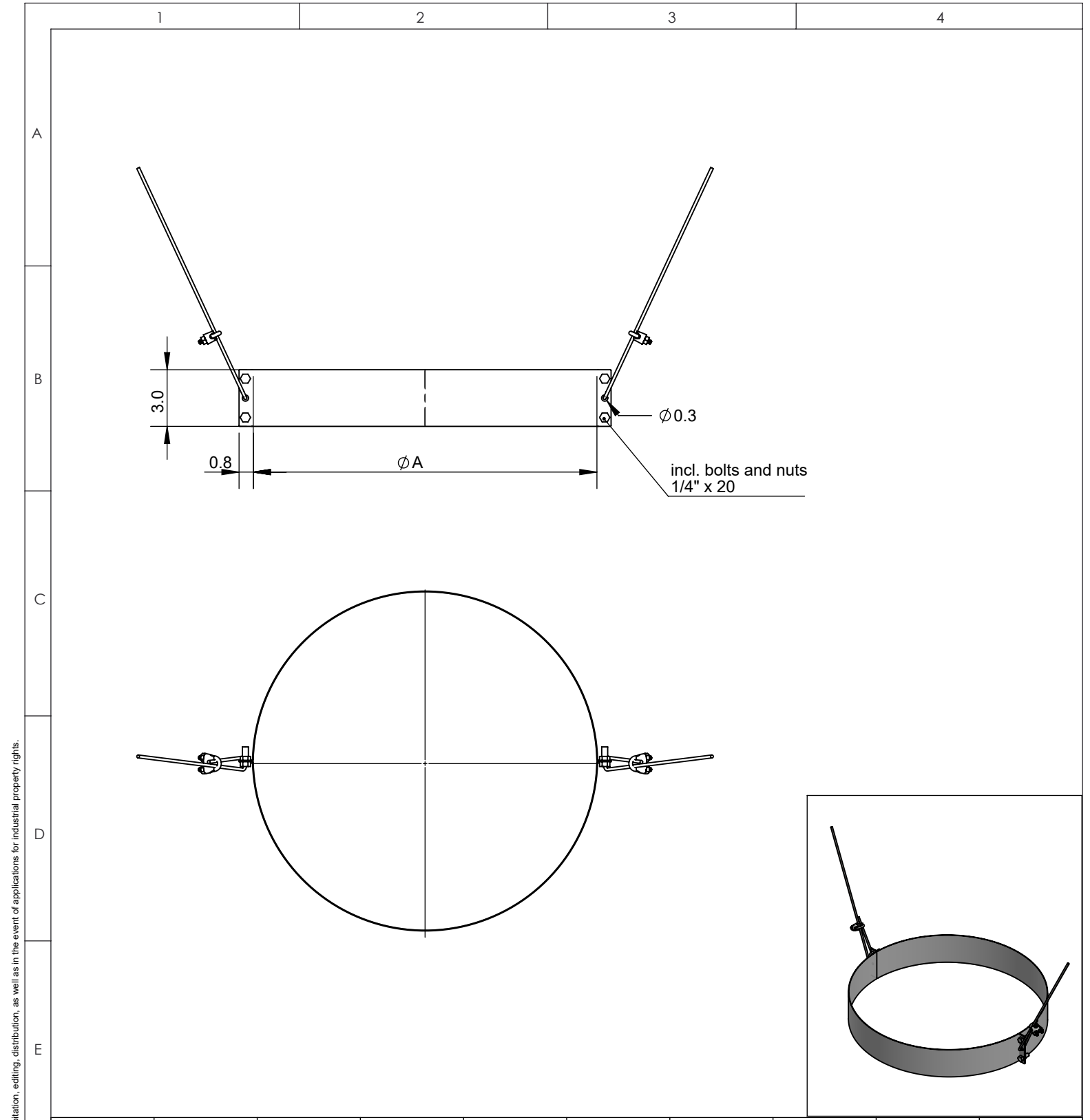





© NAKS Inc. All rights reserved, also regarding any disposal, exploitation, editing, distribution, as well as in the event of applications for industrial property rights.

	Ø	10	11	12	13	14	16	18	20	22	
	A	10	11	12	13	14	16	18	20	22	
F	material: inside/outside	304		surface: inside/outside	BA		inch / lb				scale
	revisions-no.						 NORTH AMERICAN KITCHEN SOLUTIONS INCORPORATED				
			date	name		description 87 Degree Elbow w/ Access					format US LETTER
	drawn by					code				sheet	
	checked by					SWNAKSØ-87EA					
approved by					drawing no.						
modified by											



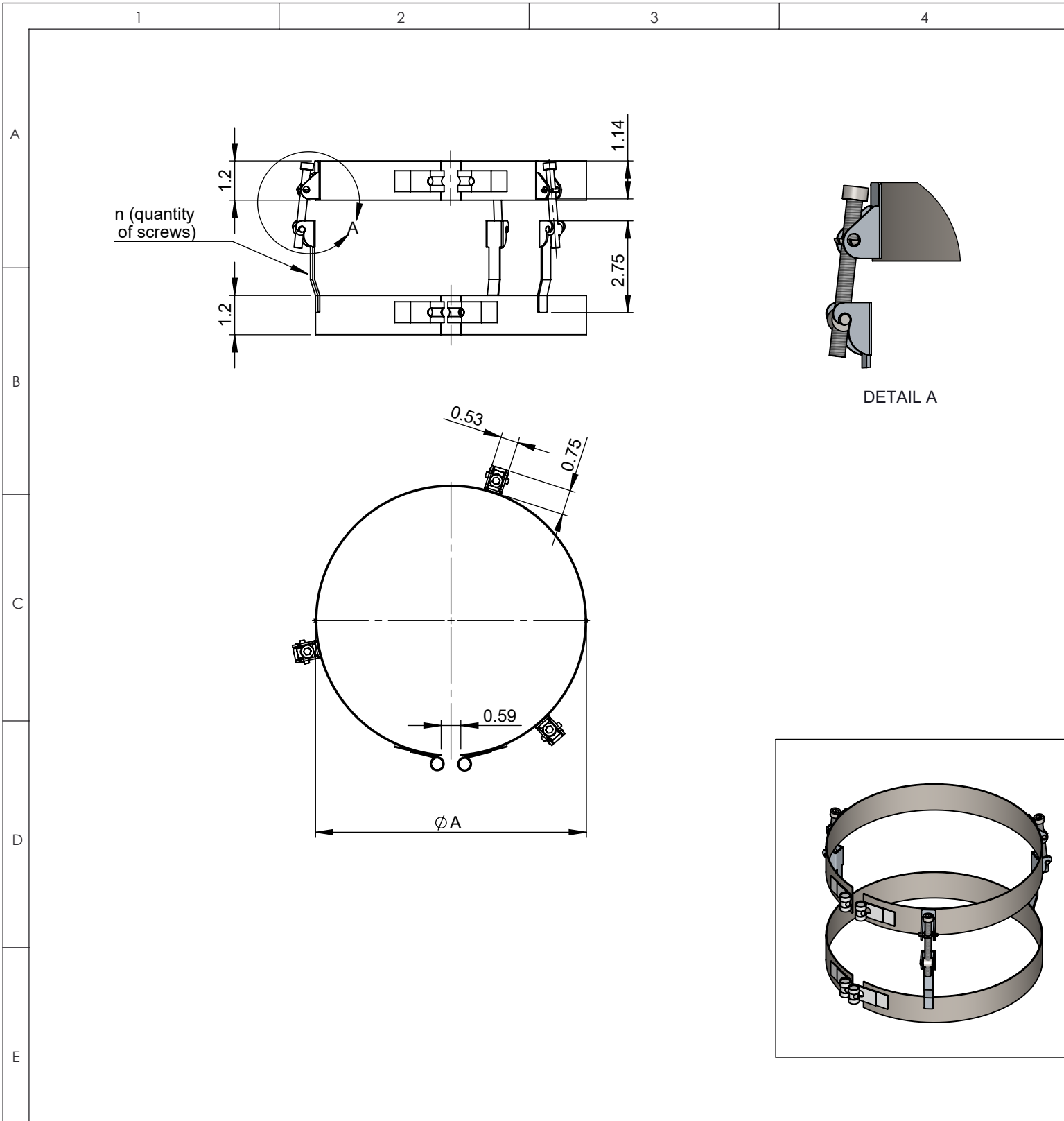


Ø	10	11	12	13	14	16	18	20	22
A	10	11	12	13	14	16	18	20	22

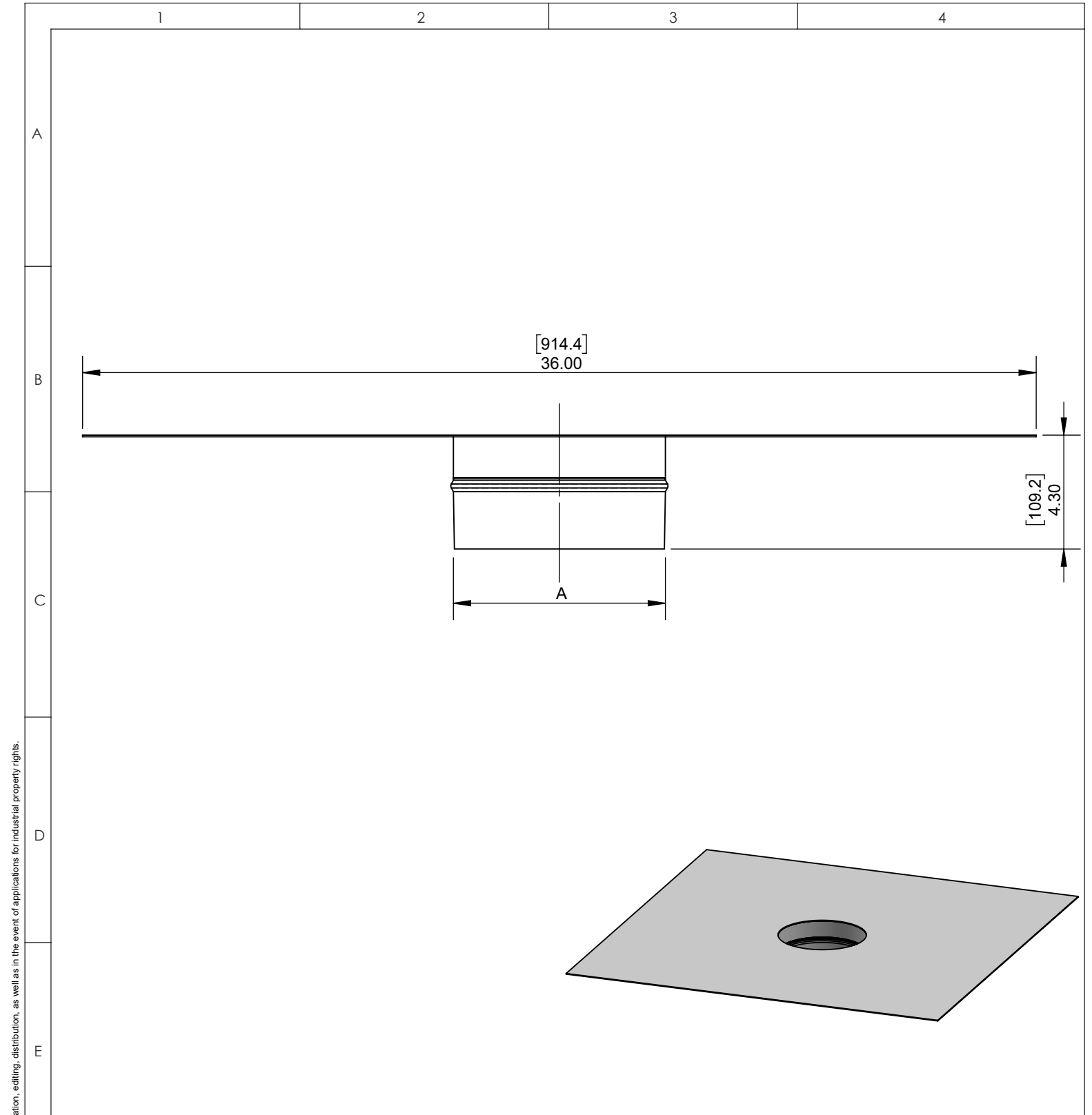
material: inside/outside	304	surface: inside/outside	BA	inch / lb		 NORTH AMERICAN KITCHEN SOLUTIONS INCORPORATED	scale
				revisions-no.			format
				date	name	description	US LETTER
				drawn by			Light Support Band
				checked by		code	
				approved by			SWNAKSØ-LSB
				modified by		drawing no.	

© NAKS Inc. All rights reserved, also regarding any disposal, exploitation, editing, distribution, as well as in the event of applications for industrial property rights.



© NAKS Inc. All rights reserved, also regarding any disposal, exploitation, editing, distribution, as well as in the event of applications for industrial property rights.



\emptyset	10	11	12	13	14	16	18	20	22	
A	10	11	12	13	14	16	18	20	22	
material: inside/outside	304	surface: inside/outside	BA	inch / lb						scale
		revisions-no.		A						format
F			date	name	description				KL Clamp	sheet
			drawn by							
			checked by							
			approved by							
		modified by						code	SWNAKSØ-KLC	
								drawing no.		



© NAKS Inc. All rights reserved, also regarding any disposal, exploitation, editing, distribution, as well as in the event of applications for industrial property rights.

	Ø	10	11	12	13	14	16	18	20	22		
	A	10	11	12	13	14	16	18	20	22		
F	material: inside/outside	304		surface: inside/outside	BA		inch / lb				scale	
						revisions-no.				 NORTH AMERICAN KITCHEN SOLUTIONS INCORPORATED		
					date	name	description				format	
							Fan Plate Adapter - End				US LETTER	
							36"x36"				sheet	
						code						
						SWNAKSØ-FPE:36x36						
						drawing no.						